

**MPS POWER SUPPLY 1-PHASE,**

IN: 90-265VAC OUT: 24V/5ADC

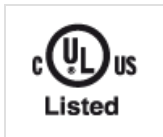
INPUT: 90...265 V AC

OUTPUT: 24 V DC

Current: 5 A

[Link to Product](#)**Illustration**

Product may differ from Image

**Approvals****Input**

Input voltage	90...265 V AC
Inrush current after 1 ms	max. 10 A
Primary fusing external	max. 10 A
Frequency	50...60 Hz
Input current	1.9 A (115 V AC); 0.95 A (230 V AC)

**Output**

Output voltage	24 V DC (SELV), +3/-1%
Output current	5 A (+60 °C); 6 A (+40 °C)
Mains failure bridging time	min. 10 ms (115 V AC); min. 80 ms (230 V AC)
Ripple	max. 20 mV eff/rms
Spikes	max. 100 mV ss/pp
Unit protection	short-circuit and overload protected
LED display	LED (green) at min. 22 V DC
Parallel usage/serial usage	no/yes

**General data**

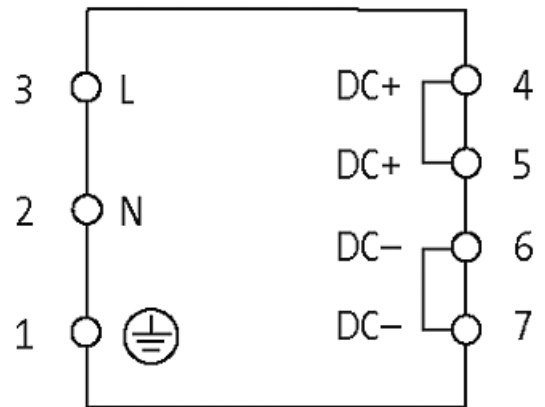
Standards	EN 60950-1, EN 61204-3, EN 55022 B
Efficiency	85%

Relative humidity	5...95%, no condensation
Mounting method	DIN-rail mountable TH35 (EN 60715), additional plate for screw mounting Art.-No. 89500
Dimensions H×W×D	132×110×72 mm
Temperature range	0...+60 °C (storage temperature -25...+85 °C)

#### Commercial data

country of origin	CZ
customs tariff number	85044090
EAN	4048879080729
eClass	27049002
Packaging unit	1

#### Sketch



Product may differ from Image